



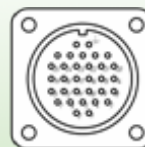
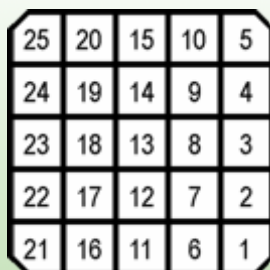
- The B-Flex-45-SQ-25 - unimorph deformable Mirror is designed to be applied in medical imaging, laser beam control and shaping, optical communications, and astronomy.
- The Mirror is capable of forming complex surface patterns, the shape of which is computer-controlled and well suited for compensation of low order aberrations (up to 4th order of Zernike).
- The SDK (C++) allows to operate all functions of the mirror and to achieve easy integration with user software.

VISIONICA

Deformable Mirror B-Flex-45-SQ-25

TECHNICAL SPECIFICATIONS

Clear Aperture	45x45 mm
Substrate	Glass
Stroke	70 μm
Aperture shape	square
Number of control electrodes	25
Control voltage (max)	$\pm 300\text{ V}$
Resonance frequency	$>8000\text{ Hz}$
Reflecting coatings (optionally)	Al, Ag, Cu, Multilayer Dielectric
Optical Damage threshold in pulsed operation	$>20\text{ J/cm}^2$
Surface quality (scratch-dig)	60-40/40-20
Hysteresis	$<12\%$
Operating temperature	from $+10$ to $+40\text{ }^\circ\text{C}$
Storage temperature	from -30 to $+70\text{ }^\circ\text{C}$
Weight	150 g
Size	90x90x53 mm



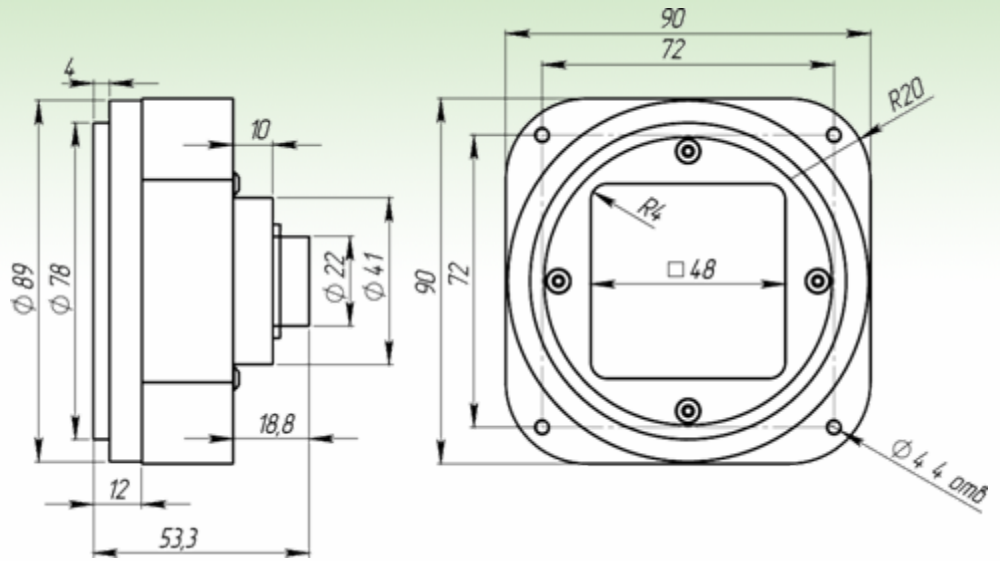
Electrical connector
(view from external side)

Electrodes arrangement
(view from inner side)

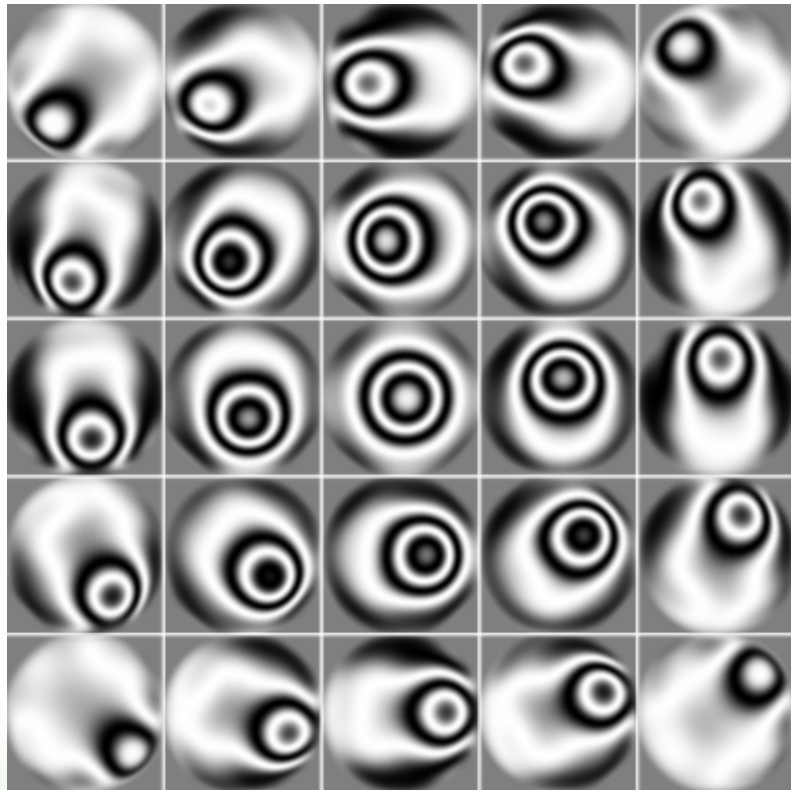


Deformable Mirror B-Flex-45-SQ-25

DIMENSIONS



TYPICAL RESPONSE FUNCTIONS



Phone
+7 (499) 213-31-25

WWW
www.visionica.biz

E-mail
visio@optics.ru