

- The U-Flex-36-HEX-19 - unimorph deformable Mirror is designed to be applied in medical imaging, laser beam control and shaping, optical communications, and astronomy.

- The Mirror is capable of forming complex surface patterns, the shape of which is computer-controlled and well suited for compensation of low order aberrations (up to 4th order of Zernike).

- The SDK (C++) allows to operate all functions of the mirror and to achieve easy integration with user software.

VISIONICA

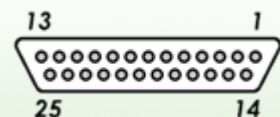
Deformable Mirror U-Flex-36-HEX-19

TECHNICAL SPECIFICATIONS

Aperture diameter	36 mm
Substrate	Glass
Stroke	35 μ m
Initial curvature	25 m
Number of control electrodes	19
Control voltage (max)	± 300 V
Resonance frequency	>4000 Hz
Reflecting coatings (optionally)	Al, Ag, Cu, Multilayer Dielectric
Optical Damage threshold in pulsed operation	>0.3 J/cm ²
Surface quality (scratch-dig)	60-40/40-20
Hysteresis	<15 %
Operating temperature	from +10 to +40 °C
Storage temperature	from -30 to +70 °C
Weight	150 g
Size	$\varnothing 60 \times 32$ mm



Electrodes arrangement
(view from inner side)

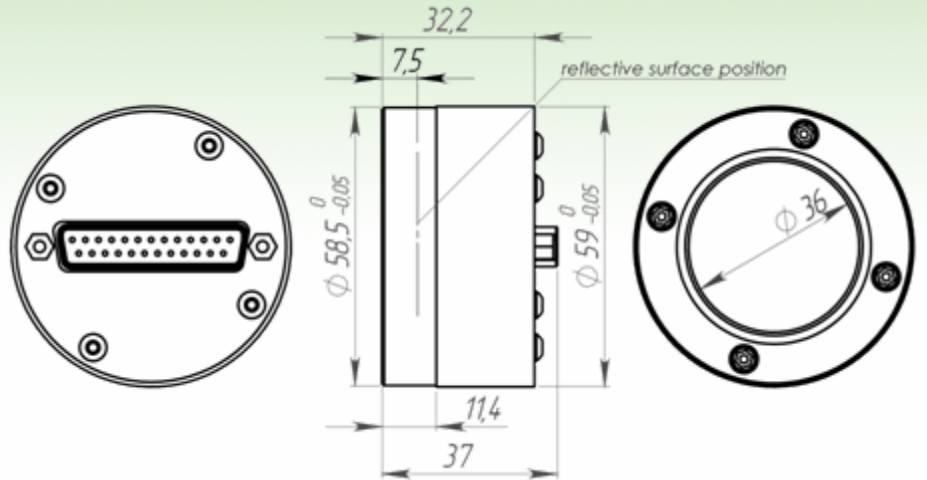


Electrical connector
(25-pin D-SUB)

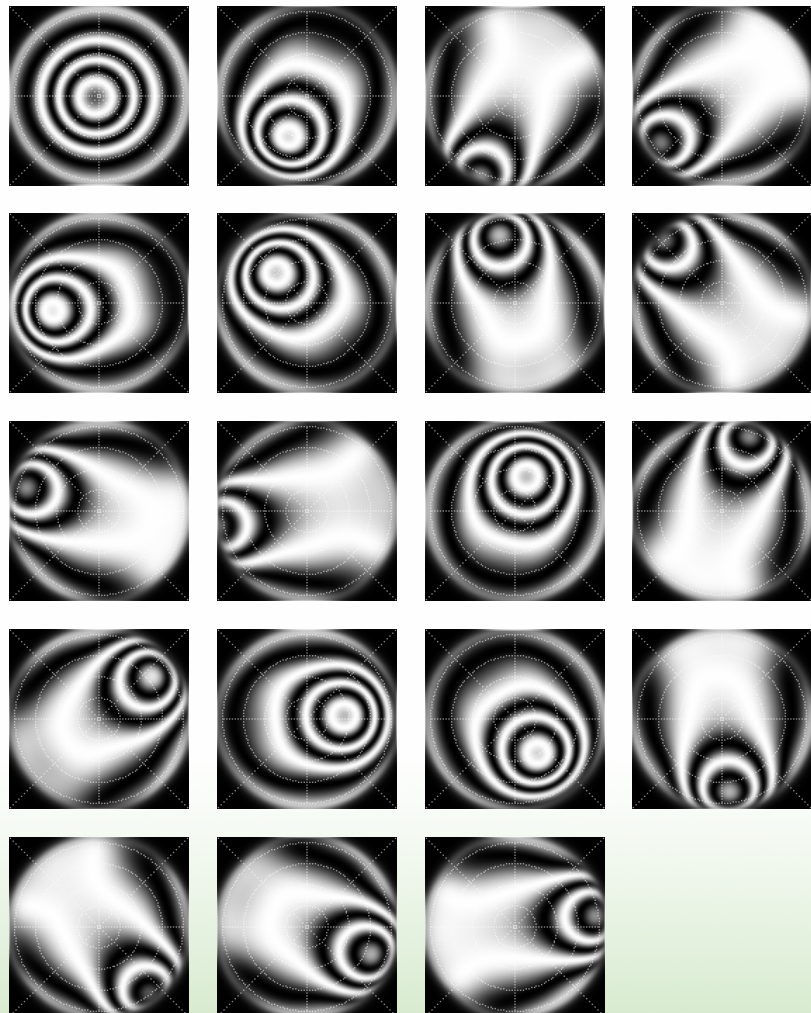


Deformable Mirror U-Flex-36-HEX-19

DIMENSIONS



TYPICAL RESPONSE FUNCTIONS



Phone
+7 (499) 213-31-25

WWW
www.visionica.biz

E-mail
visio@optics.ru